

Plastic Pallets

Quality, Value, Trust.. for all Industries



- Material handling is an integral part of every Supply Chain.
- Roto Pallets stand out essentially for its uniqueness by meeting highest standards of Hygiene.
- Due to unique multidimensional composition, Roto Pallets provide greater Load Bearing Capability as compared to other Pallets. This also makes it the preferred choice in Racking and processes involving dynamic application of Pallets.



Chemicals



Textile & Garment



Pharmaceutical



Dairies & Food Processing



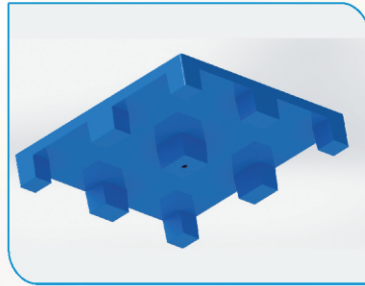
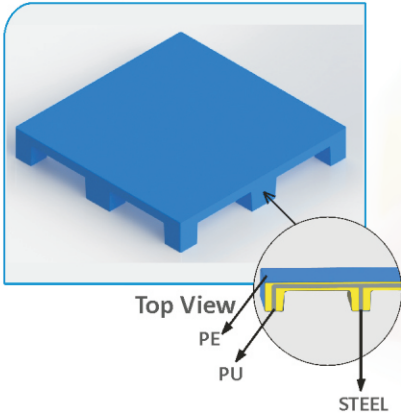
Automotive & Engineering



Warehousing & Distribution

www.omtexplastics.com | omtex@omkargroup.com

HYGIENE SERIES



Bottom View

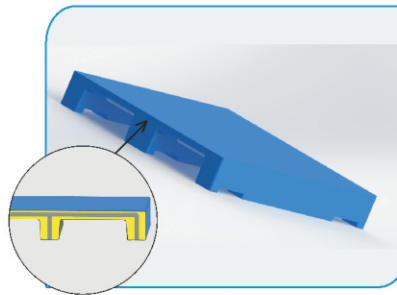
- ★ Flat Top
- ★ 9 Leg.
- ★ 4 WAY ENTRY
- ★ NON - RACKABLE
- ★ COMPATIBLE WITH ALL MATERIAL HANDLING EQUIPMENTS

Technical Specifications

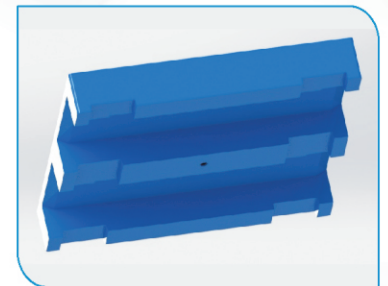
MODEL	DIMENSIONS	LOAD BEARING CAPACITY			SPECIFICATIONS
		STATIC	DYNAMIC	RACKING	
OMRP10109LPU	1000 X 1000 X 155	2000	800	NA	9 Legs Flat Top 4 Way Entry
OMRP10109LPUS	1000 X 1000 X 155	2500	1000	NA	
OMRP12109LPU	1200 X 1000 X 155	2000	1000	NA	
OMRP12109LPUS	1200 X 1000 X 155	3000	1200	NA	
OMRP12129LPU	1200 X 1200 X 155	3000	1200	NA	
OMRP12129LPUS	1200 X 1200 X 155	3500	1500	NA	

★ Steel Reinforced Pallets could be customized as per load bearing capacity.

- ★ Flat Top
- ★ 3 RUNNER
- ★ TWO - WAY ENTRY
- ★ COMPATIBLE WITH ALL MATERIAL HANDLING EQUIPMENTS



Top View



Bottom View

MODEL	DIMENSIONS	LOAD BEARING CAPACITY			SPECIFICATIONS
		STATIC	DYNAMIC	RACKING	
OMRP10103RPU	1000 X 1000 X 155	2000	800	400	Flat Top 3 Runner 2-Way Entry
OMRP10103RPUS	1000 X 1000 X 155	2500	1000	500	
OMRP12103RPU	1200 X 1000 X 155	2000	800	400	
OMRP12103RPUS	1200 X 1000 X 155	3000	1500	800	
OMRP12123RPU	1200 X 1200 X 155	3000	1000	400	
OMRP12123RPUS	1200 X 1200 X 155	3500	1500	800	

★ Steel Reinforced Pallets could be customized as per load bearing capacity.

Technical Specifications

OMKAR INDIA PVT. LTD

Address : Survey No. 13, Sumit Compound, B/h. Mahalaxmi Mills, Narol, Ahmedabad - 382405.

Ph. : 079-29706790 | E-mail : omtex@omkargroup.com | Website : www.omtexpastics.com